

One Year Unconditional Warranty

If for any reason, this ProMaster product fails within ONE YEAR of the date of purchase, return this product to your ProMaster dealer and it will be exchanged for you at no charge. ProMaster products are guaranteed for ONE FULL YEAR against defects in workmanship and materials. If at any time after one year, your ProMaster product fails under normal use, we invite you to return it to ProMaster for evaluation.



Vertical Control
Power Grip

FITS SONY A6300/A6000

CODE 8363

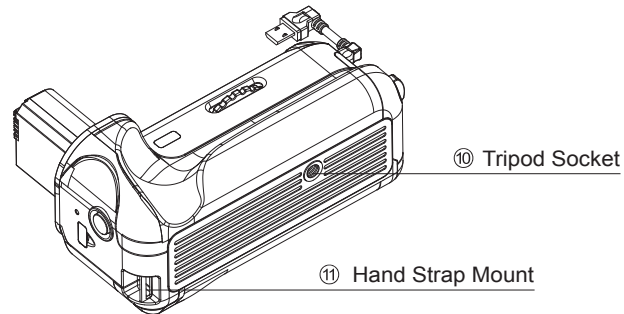
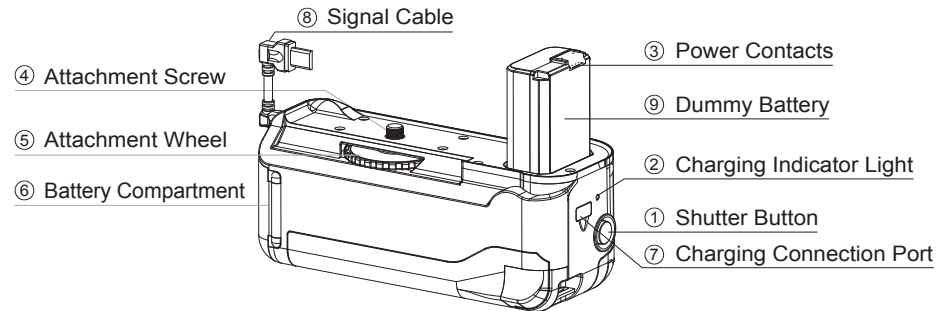
Congratulations on your purchase of the ProMaster Vertical Control Power Grip for the Sony A6300 & A6000. This battery grip will provide longer shooting times for your camera, comfortable photography when taking vertical-orientation shots, and a more stable overall camera rig which reduces the chance of shake and blur.

To ensure proper operation, please read this manual thoroughly before using this product. This grip is specially designed for the Sony A6300 & A6000 cameras. It is equipped with an alternate shutter button for easy shooting in a vertical position. This battery grip can hold two NPFW50 rechargeable Li-ion batteries to extend your shooting time.

◆ **Caution**

1. This product should only be used with compatible devices specified in this instruction sheet.
2. Use **ONLY** the batteries and holder recommended.
3. Cover the power terminals with the contact cap when not in use. This prevents electrical shorts caused by metal objects touching the terminals.
4. When the battery holder is removed from the grip, remove the batteries or place the holder in a container to prevent electrical shorts caused by contact with the other metal objects.
5. The battery level may not display properly if batteries are inserted before attaching the grip to the camera.
6. Remove the batteries from the grip when not in use for an extended period.
7. Do not disassemble or repair this product yourself. Doing so will void your warranty.
8. Avoid water or extreme humidity and be sure to store in a cool, dry location.
9. Do not dispose of in fire or extremely high temperature environment.
10. Keep the product or parts away from children to avoid hazard from swallowing.

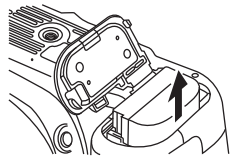
◆ Part Names



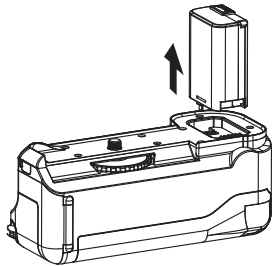
◆ Attaching to the camera



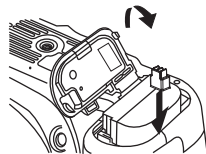
1. Please turn off the camera.



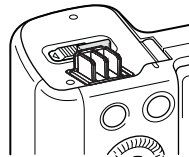
2. Open the camera's battery chamber and remove the NPFW50 battery.



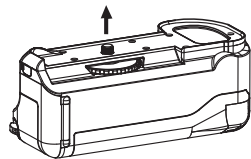
3. Detach the dummy battery from the grip by pulling it away.



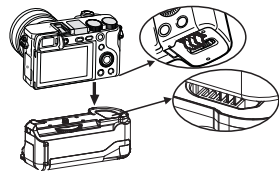
4. Insert the Dummy Battery (9) into the camera's battery chamber.



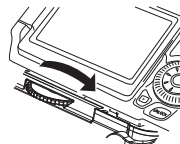
5. Close the camera's battery chamber door and notice the dummy battery's connectors protrude from a small hatch in the door.



6. Align the grip with the camera using the Attachment Screw (4).

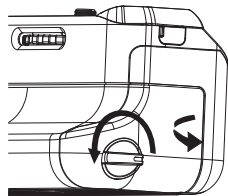


7. As you mount the grip to the camera be sure the dummy battery connectors line up with the grip's battery connectors as shown.

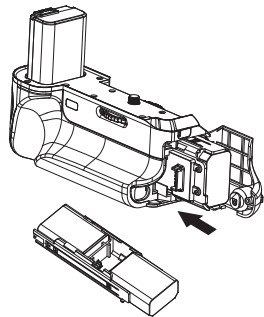


8. Tighten the grip to the camera by turning the Attachment Wheel (5) in the direction of the LOCK arrow. Now connect the proper Signal Cable (8). The black cable is for the A6000. The grey cable is for the A6300.

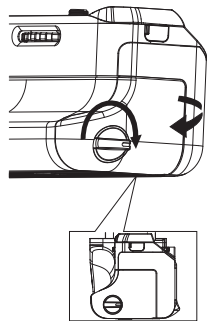
◆ Install Batteries



1. Open the grip's Battery Compartment (6) by turning the battery door knob counter-clockwise. It will spring open.



2. Remove the battery tray by pushing on the small lever inside the compartment. Insert one or two NPFW50 batteries into the tray.



3. Reinsert the tray into the grip. Close the battery compartment door and turn the battery door knob clockwise to lock it.

◆ Operation and Use of the Grip

1. You can use the USB charging cable included with your camera to charge one or two batteries while installed in the grip. To do this you must connect the cable to the Charging Connection Port (7) on the grip, NOT the camera's charging port. The Charging Indicator Light (2) will turn red during charging and then change to green when complete.
2. Your camera must be turned ON for the grip to operate.
3. Use the grip's Shutter Button (1) to comfortably auto focus and take photographs while holding your camera in a vertical position.
4. Use the Tripod Socket (10) to mount your grip and camera to a tripod or quick release plate.

◆ Specifications sheet

Model	8363
Power Source	1 or 2 NPFW50 batteries
Camera Compatibility	Sony A6000/A6300
Operating Temperature	0~40° (32~104°F)
Charing Voltage	5V
Charge Time	1 battery = 4.5 hrs / 2 batteries = 9 hrs approx.
Dimensions	Approx. 130 x 57 x 88 mm
Weight (without batteries)	Approx. 160 g (excluding batteries)

* Approximate measurements

* All the trademarks are the property of their respective owners

* Specification and design are subject to change without notice